



**RD PL2**  
( COUNTER TOP )  
**User guide**

Thank you for your purchase of ReverseTap.

Please read this user manual carefully before using ReverseTap.

**This user manual is for the actual users of ReverseTap, and includes functions and maintenance of each part of the machine.**

**( Please refer to S/W manual for controls and applications )**

- Please be well-acquainted with the use of ReverseTap through this manual before using the product.
- Images in this manual can differ from the actual appearance of the product.
- Disassembling, repairing, or remodeling arbitrarily may cause malfunctioning of the product. Please contact the certified service center for repair.
- Changing the ReverseTap-provided software or using unofficial software may cause error or malfunctioning of the product.
- If you sense any burning smell or smoke from the product, please disconnect the power immediately and call our certified service center (CSC).
- Do not use damaged power plugs.
- Do not touch power plugs with wet hands. It is hazardous of electric-shock or fire.
- Do not use the product near flammable objects.
- Please turn OFF the product during indoor-use when it is lightning or the product is idle.
- Please put the ReverseTap parts beyond the reach of children or impaired people.
- Do not wash the product parts in dishwasher or with benzene, thinner, or sodium hypochlorite. It may cause damage to the product.
- This manual can be downloaded via ReverseTap website. [www.reversetap.com](http://www.reversetap.com).

PAGE	4	What is ReverseTap ? / The Installation of ReverseTap / Recommended Operating Environment of ReverseTap
PAGE	5	RD PL2 Specification
PAGE	6	RD PL2 Box Contents
PAGE	7	Names of Each Part of RD PL2
PAGE	8	Maintenance Guidelines for Each Part of RD PL2
PAGE	8	NOZZLE
PAGE	9	GRIPPER & VALVE HOUSING
PAGE	10	TOP COVER & NOZZLE COVER
PAGE	11	PROTECT COVER & SWITCH AREA
PAGE	12	Display Light (DL) & DL HOLDER
PAGE	13	SMART PAD & FILTER FITTING
PAGE	14	DC 24V CONNECTOR CABLE / RUBBER STOPPPER
PAGE	15	RA DL Specifications & Instructions
PAGE	16	Instructions & Cautions for ReverseTap Disposable Cup
PAGE	17	Instructions & Cautions for ReverseTap Reusable Cup
PAGE	18	Maintenance Guidelines for ReverseTap
PAGE	19	Troubleshooting
PAGE	21	Specifications for ReverseTap Cup and Accessories

**ReverseTap is an innovative beer dispensing system.**

**It is an upward dispensing system, different from the conventional downward dispensing system.**

**There are several benefits of ReverseTap compared to the conventional dispensing system.**




- It is easily accessible through simple instructions
- It maximizes profit by preventing the loss of beer with its foam amount control feature.
- It is faster compared to the conventional beer tap, which makes serving much more customers possible within certain time length.
- It fills and stops automatically. This can free the two hands of the worker and enhance the worker's productivity.
- The novelty of upward dispensing concept itself is highly attractive to the customers, and BLU and Smart pad can also be used as a powerful marketing tool.

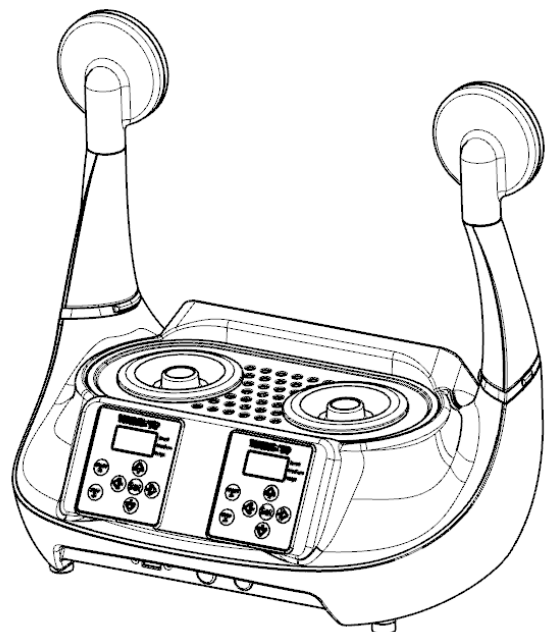
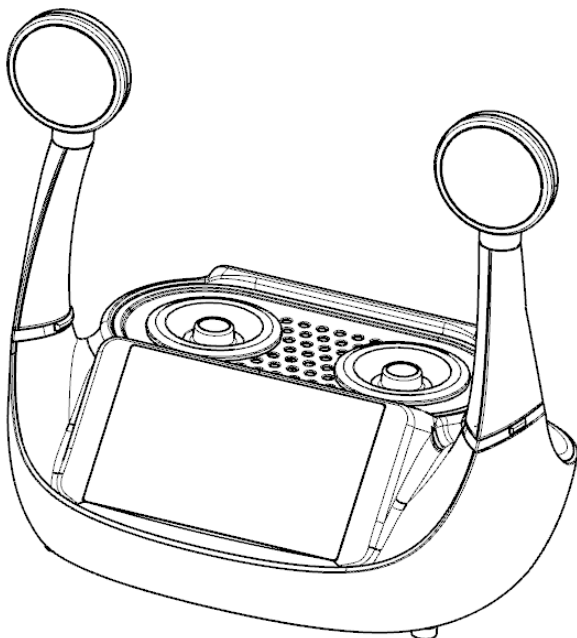
## The Installation of ReverseTap

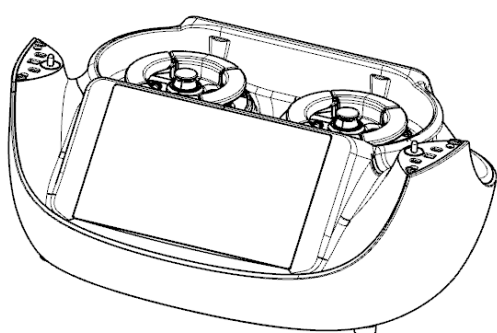
- Installations of ReverseTap are managed by our certified service center (CSC).
- Please be advised that the product installations done by an individual or any other company than CSC shall exclude the product from our after service.
- Information regarding CSC can be collected via regional distributors and our website.  
( [www.reversetap.com](http://www.reversetap.com) )

## Recommended Operating Environment for ReverseTap

- Recommended Operating Temperature :  $20 \pm 5$  °C
- Recommended Operating Humidity : 40 ~ 70 %
- Do not use the dispenser with hot beverages. ( over 40 °C ) It may damage the product.
- Do not use the dispenser with undrinkable liquid.
- Do not use the dispenser with drinks with potential to create precipitate such as fruit pulp or coffee powder. It may clog ReverseTap valve and cause malfunctioning.
- Please contact CSC for more information.

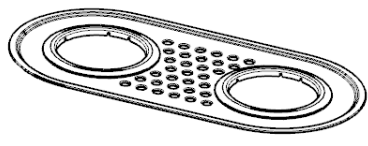
RD PL2	
Product Size	392 X 330 X 408 mm
Display Size	7 inch
Product Weight	4.5 kg
Packaging Size	450 X 445 X 200 mm
Packaging Weight	5.5 kg
Certification	   FDA certified
LCD Type	Smart pad
Voltage	100~240 V / 50-60 Hz, 2.5 A ~ 3.75 A
Material	AL, SUS, PC, etc
Color Chart	Island Paradise, Greenery, Primrose yellow, Flame



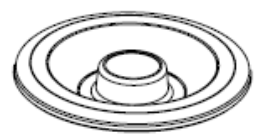


**RD PL2 MAIN BODY**

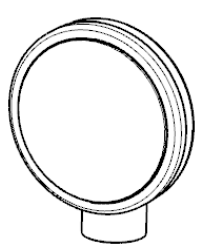
- GRIPPER 4 EA
- NOZZLE & Sanitary Cap 2 EA



**PROTECT COVER**  
1 EA



**NOZZLE COVER**  
2 EA



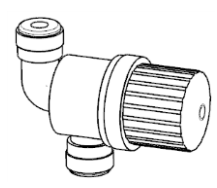
**Display Light ( DL )**  
2 EA



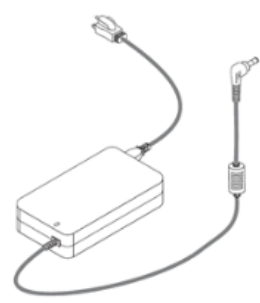
**DL HOLDER**  
1 set



**CLEANING NOZZLE**  
2 EA

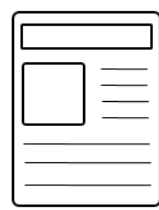


**FILTER FITTING**  
2 EA



**ADAPTOR SET**  
( Refer to Specification for Capacity )

- ADAPTOR 1 EA
- AC CODE 1 EA
- DC 24 V CONNECTOR CABLE 1 EA



**USER MANUAL 1 SET**  
( H/W, S/W )

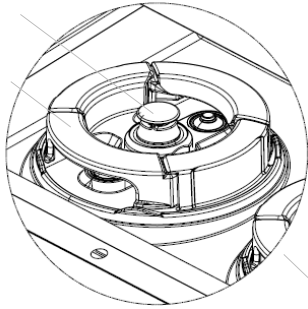
**USB Memory stick 1 EA**

**OTHER PARTS FOR INSTALLATION**

- Flow meters 2 EA
- Fittings 2 sets
- Drain hose 1 set

## VALVE HOUSING

- NOZZLE
- GRIPPER

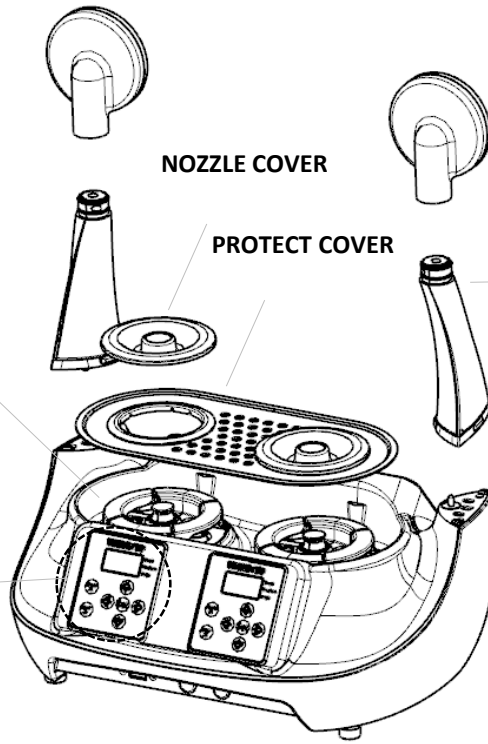


## NOZZLE COVER

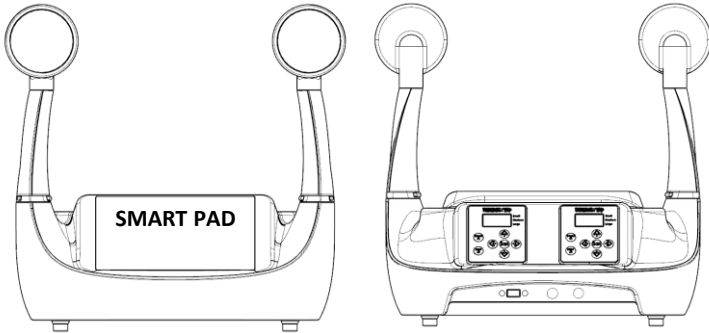
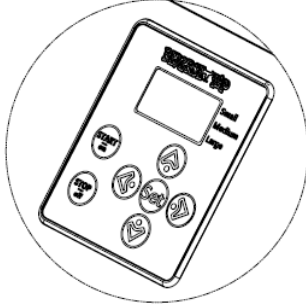
## PROTECT COVER

Display Light (DL)

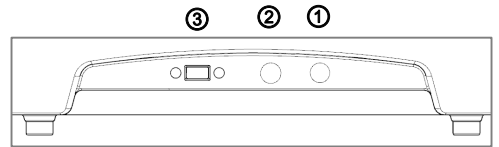
DL HOLDER



## CONTROL KEYPAD



SMART PAD

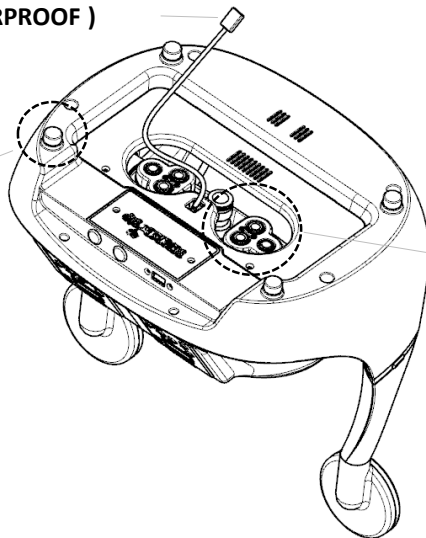
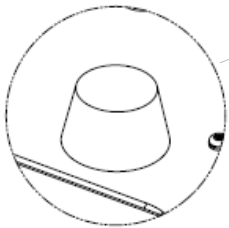


## SWITCH AREA

- ① MAIN SWITCH
- ② FRONT SWITCH ( Smart pad )
- ③ USB PORT

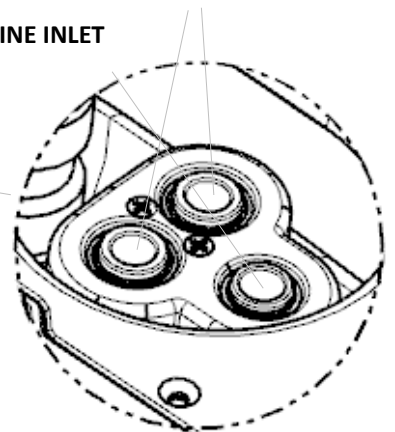
## DC 24V CONNECTOR ( WATERPROOF )

## RUBBER STOPPER



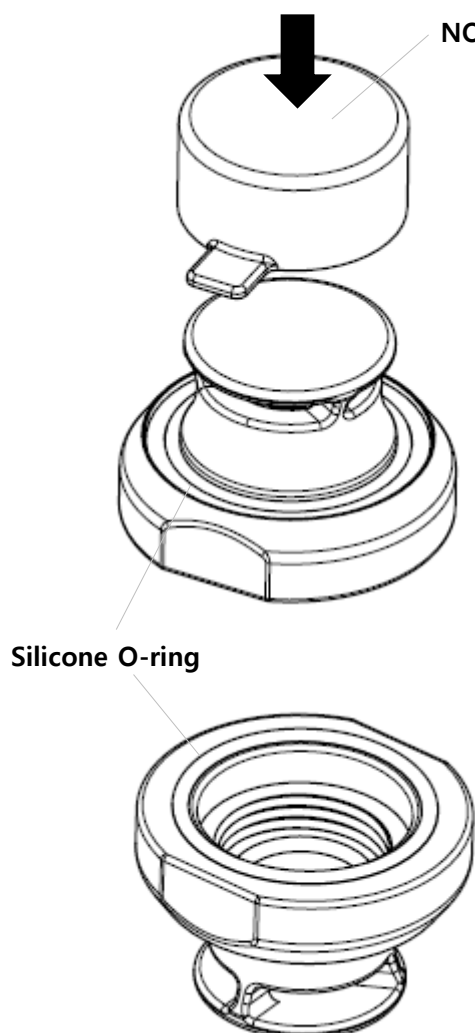
## SOLENOID VALVE SET

- COOLING LINE INLET&OUTLET
- BEVERAGE LINE INLET

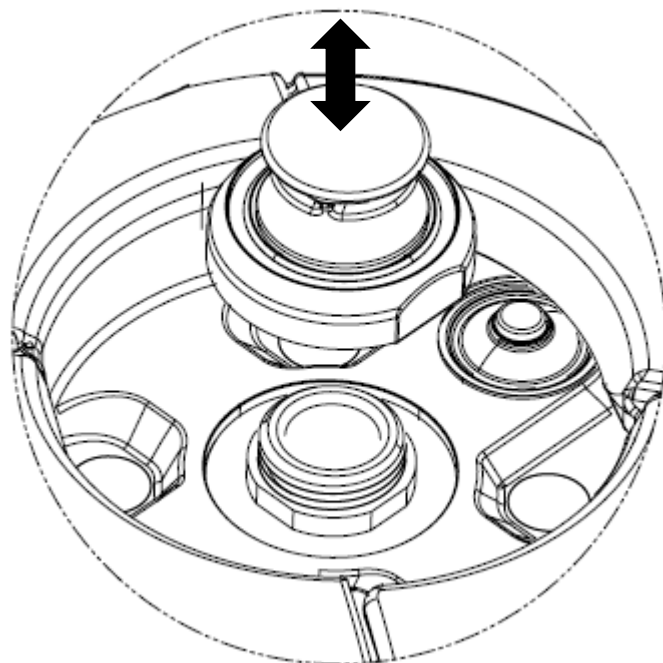


## NOZZLE

- The NOZZLE takes very important role as it makes beverage to flow into the cup. Therefore, it should be taken care of in a very clean and safe way, and please call CSC if any problem occur.
- The assembled, red-colored part is an O-ring for watertightness. Please contact CSC for any damage or loss. ( They are general-purpose products which can be easily purchased. )  
( Name: S20,S22 / Material: Silicone )
- Bubble pipe, which is an optional part, is capable of dispensing nitro coffee with soft foam.
- NOZZLE Disassembly and Assembly Instructions
  - Grab each side of the NOZZLE and twist counterclockwise to assemble, and vice versa.
  - Please be aware not to assemble with excessive force which may make disassembling difficult.
  - Please be aware that the presence of foreign substance on the contact surface may result in leakage.
- Cautions while washing and storage
  - Disassemble and wash the NOZZLE with warm water and neutral detergent after daily use.
  - Please be careful not to scratch on a surface and O-ring, and wipe out water with soft clothes.
  - Please reassemble the NOZZLE with ReverseTap after washing, and keep with hygiene cap covered.



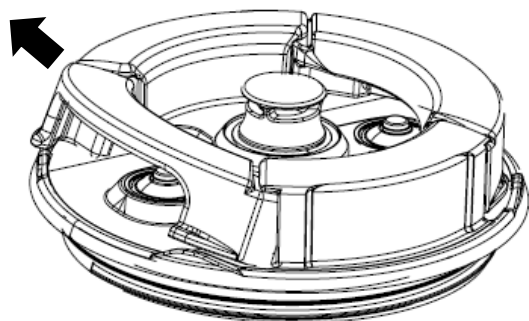
Hand screw the NOZZLE counterclockwise to assemble, and vice versa.



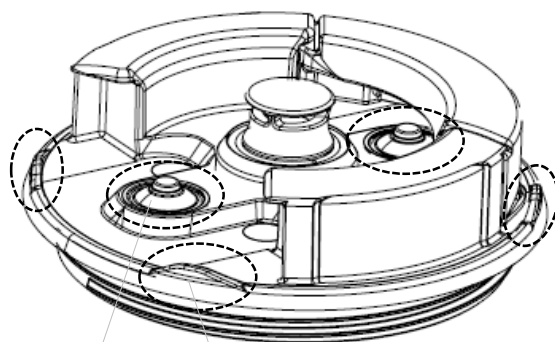


## GRIPPERS & VALVE HOUSINGS

- Semi-transparent region on each side of GRIPPER and the touching surface of VALVE HOUSING take the roles of grabbing a cup with magnetic force. Presence of foreign substance may result in escape of the cup.
- Please wash the GRIPPERS and VALVE HOUSINGS before reusing after a certain time length of idleness. If not, it may result in malfunction due to the viscosity of dry beverage.
- Presence of foreign substance on a cup-trap region may result in escape of the cup.
- The buttons located on a lower center of each GRIPPER are cup-detecting sensors. ( Applying excessive force may damage the part )
- Please be careful with stopper on VALVE HOUSINGS which keeps GRIPPERS from escaping.
- GRIPPER Disassembly and Assembly Instructions
  - You can disassemble GRIPPER from VALVE HOUSING by grabbing the center of GRIPPER and pulling outwards and upwards. (assembly is done reverse)
  - Please make sure the GRIPPER is properly working after assembly by pulling it outwards several times. ( It may operate improperly if the bottom of GRIPPER gets caught by the stopper. )
- Cautions while washing and storage
  - Disassemble and wash VALVE HOUSINGS with warm water and neutral detergent after daily use.
  - Please be careful not to scratch on a surface of VALVE HOUSINGS, and wipe out water with soft clothes.
  - Wash disassembled GRIPPERS with warm water and neutral detergent.
  - After all the washing process, store GRIPPERS and VALVE HOUSINGS reassembled.

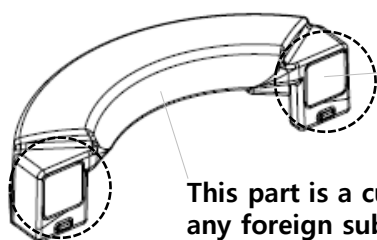


You can disassemble GRIPPER from VALVE HOUSING by grabbing the center of GRIPPER and pulling outwards and upwards. (assembly is done in reverse)



Be careful not to make GRIPPERS caught by stopper.

This is a cup-detecting sensor, so please do not apply excessive force or press with sharp edges



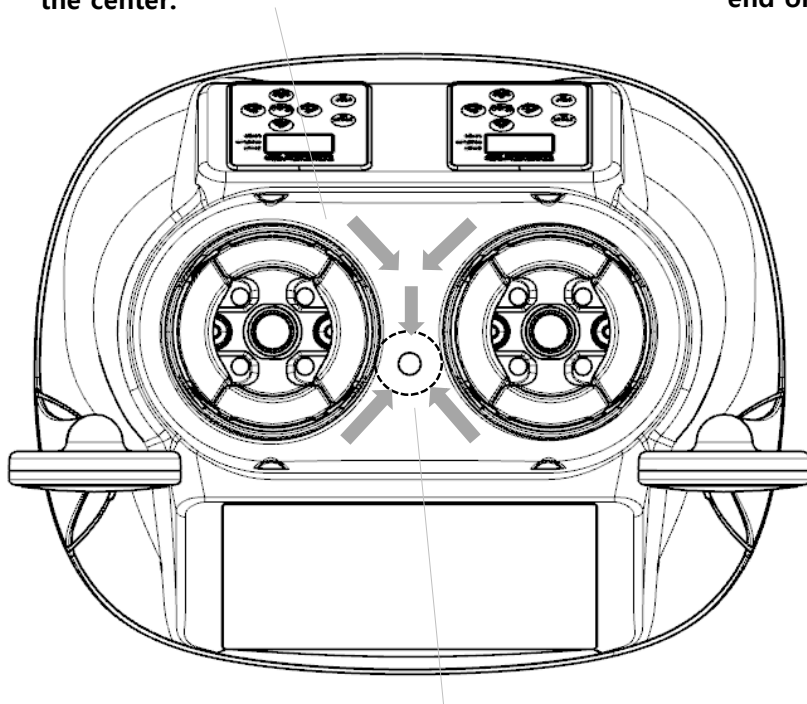
This part takes the role of grabbing a cup with magnetic force. Presence of foreign substance may result in escape of the cup.

This part is a cup-trap region. Be careful not to let any foreign substance get in.

## TOP COVER & NOZZLE COVER

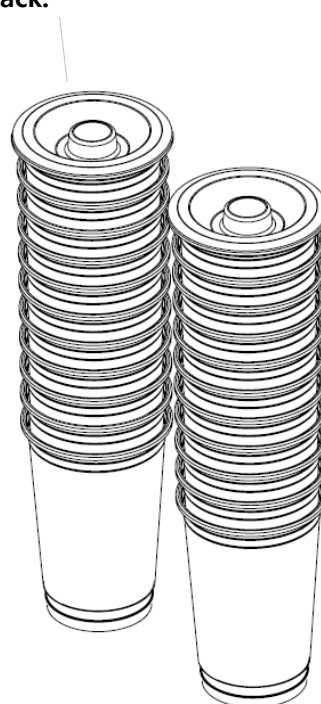
- Be careful not to scratch or damage the surface of TOP COVER.
- The TOP COVER is designed to have slope to make cleansing water flow into the drain hole at the center. Please adjust the RUBBER STOPPER to maintain level of the slope.
- Please be careful not to clog the drain hole in the center.
- The drain hole connects to disposal container through hose. Be careful not to let disposal container overflow.
- It is convenient to connect the drain hose directly to sewers.
- The NOZZLE COVER is used to protect the idle NOZZLE from dust or foreign substance.
- NOZZLE COVER can be used to insert disposable cups much easily.  
( Please refer to page 16 or ReverseTap Youtube video clip: [www.youtube.com/reversetap](http://www.youtube.com/reversetap) )
- NOZZLE COVER can be used to protect idle cups from dust or foreign substance by covering the top end of the stack.
- Cautions while washing and storage
  - Disassemble and wash with warm water and neutral detergent after daily use.
  - Use soft clothes to wipe the parts and be careful not to scratch or damage the surface.
  - Please keep the parts safely to prevent its loss.

The TOP COVER is designed to have slope to make cleansing water flow into the drain hole at the center.



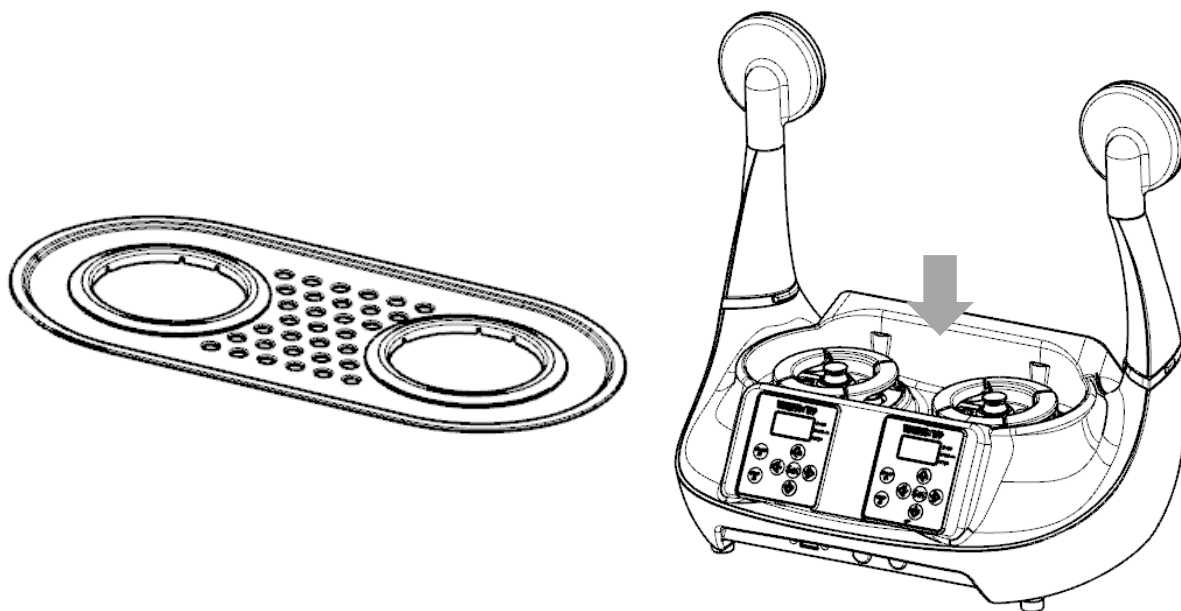
This is where cleansing water is disposed.  
Please be careful not to clog up the hole.

NOZZLE COVER can be used to protect cups from dust or foreign substance by covering the top end of the stack.



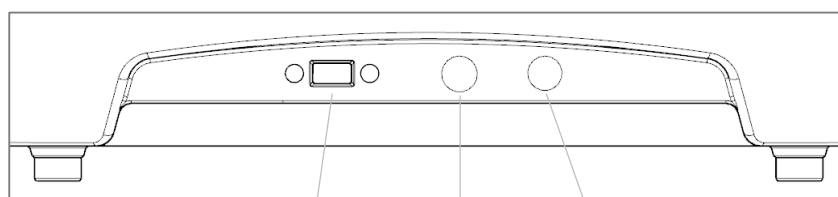
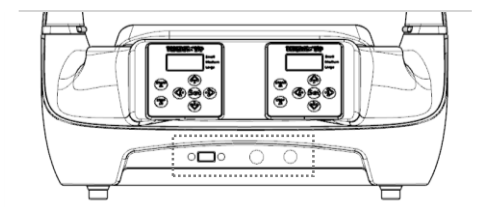
## PROTECT COVER

- PROTECT COVER is for protecting the inside parts such as VALVE HOUSING, and keeping liquids from splashing out.
- Cautions while washing and storage
  - Use soft clothes to wipe the parts and be careful not to scratch or damage the surface.



## SWITCH AREA

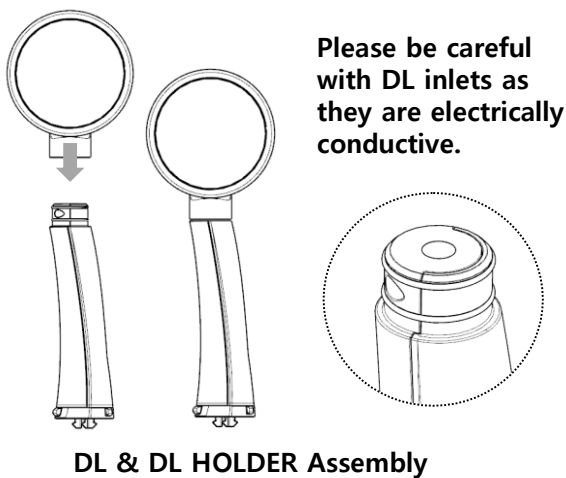
- An area for the switches and USB port.
- Starting from the left, they are Main switch, Front switch, and USB port.
- Please do not touch with wet hands and keep away from water. It may cause electric shock or fire.
- This area must be maintained safely, and please contact certified service center for any issue.



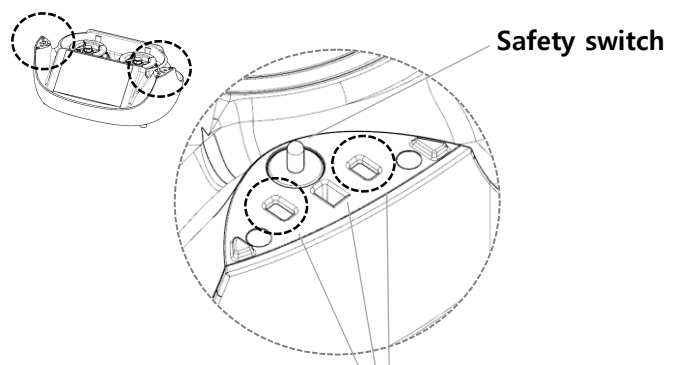
USB port    Front switch  
( smart pad )    Main switch

## Display Light (DL) & DL HOLDER

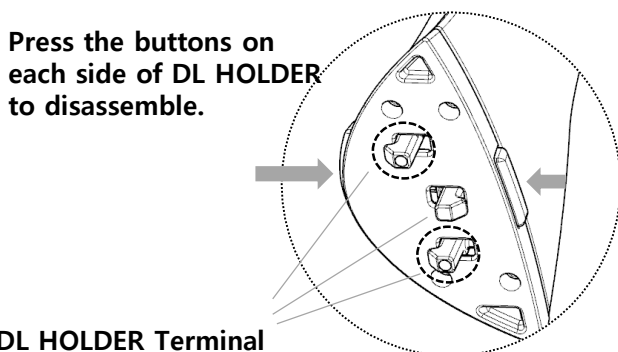
- DL is a circular BLU type accessory for beverage brand advertising.
- Please install DL HOLDER(left and right) on RD PL2.
  - To disassemble, press the buttons on each side of DL HOLDER.
- Power is connected through the terminals under each DL HOLDER. Please be careful not to damage the terminals and their inlet on PL2.
- Align center of DL and DL HOLDER, and press DL to the end.
- Please refer to page 15 "RA DL Specifications & Instructions" for instructions of inserting a backlit film into a DL.
- Terminals on each end of DL HOLDERS are to transfer electricity only when the safety switches are pushed in. However, please do not touch the terminals and their inlets with wet hands keep away from water. It may cause electric shock or fire for the terminals are electrically conductive.
- They must be maintained safely, and please contact certified service center for any issue.
- Cautions while washing and storage
  - Use soft clothes to wipe the parts and be careful not to scratch or damage the surface.



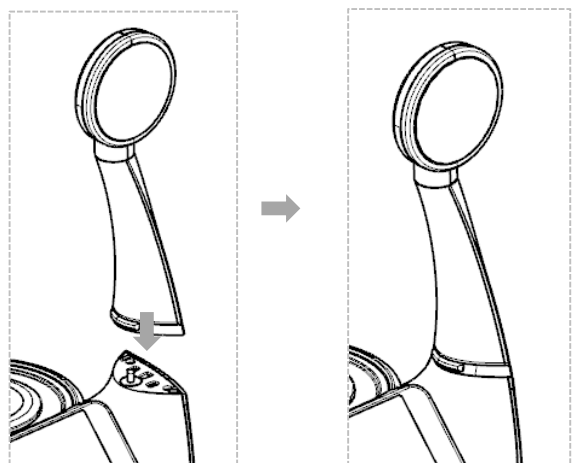
DL & DL HOLDER Assembly



DL HOLDER inlet of PL2  
- The indicated area is electrically conductive, so please handle with caution.



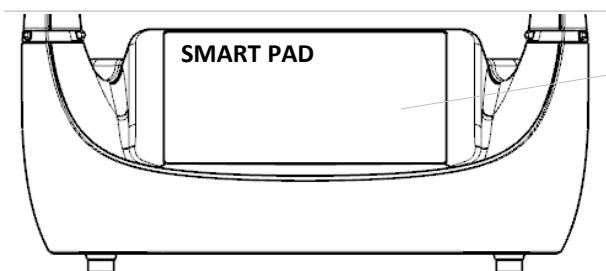
DL HOLDER Terminal  
- The indicated area is electrically conductive, so please handle with caution.



Please note that the DL HOLDERS are differentiated by left and right, so check if they are inserted to their designated side.

## SMART PAD

- SMART PAD is a smart device for utilizing ReverseTap APP, playing media materials.
- Since the SMART PAD is a capacitive touchscreen, please be careful not to have it wet. It may cause malfunctioning.
- Please be careful not to damage or break the screen.
- Please refer to the S/W manual for instructions and applications.
- Cautions while washing and storage
  - Use soft clothes to wipe the parts and be careful not to scratch or damage the surface.

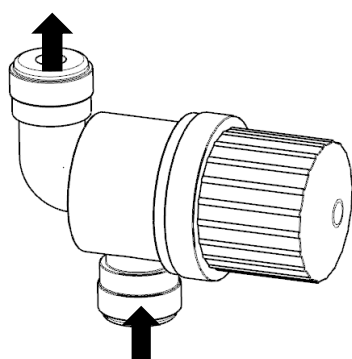


**Do not let water get onto the screen. It may cause malfunctioning.**

## FILTER FITTING

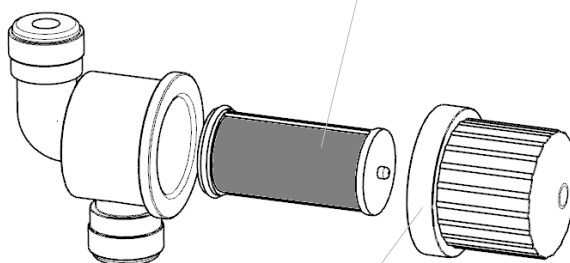
- FILTER FITTING is to filter substances coming from couplers.
  - Flowing in of substances may contaminate the beverage or damage the valve of ReverseTap.
- FILTER FITTING is to be installed during the first installation by the Certified Service Center.
  - Please install right after the coupler.
- The stainless steel filter inside FILTER FITTING needs to be maintained on certain time period.
  - It is recommended to wash on a weekly basis
  - If the dispensing is disabled, clogging of the filter may be the issue. Please open the side cover and check immediately.
- Cautions while washing
  - Even though the coupler is disassembled from keg, the beverage tube has pressure inside. So be careful when you open the lid.  
( Counterclockwise : OPEN / Clockwise : CLOSE )
  - Wash the filter thoroughly with cleaning tools such as brush.
  - Wash the inner surface of the lid where the filter come in contact with.
  - Assemble filter and close the lid firmly after washing is complete.

### Beverage Flow



**Beverage Flow**

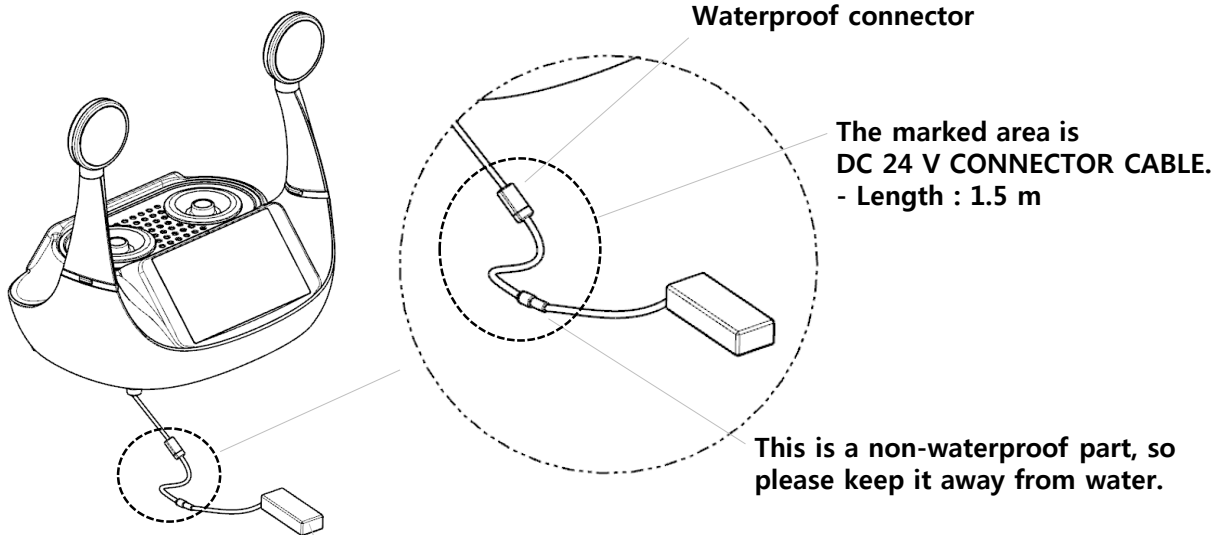
**The filter is made of stainless steel and needs periodic maintenance.**



**Counterclockwise : OPEN  
Clockwise : CLOSE**

## DC 24 V CONNECTOR CABLE

- This is a power cable for connecting adapter to electricity to supply power for ReverseTap.
- Connection between ReverseTap is waterproof-designed, whereas the opposite side of an adapter is not. Therefore, please keep it away from water. It has the risk of electric-shock and fire.
- If a cable sheath wears out or a cable is disconnected, stop operating immediately and disconnect the power. Then please contact CSC.

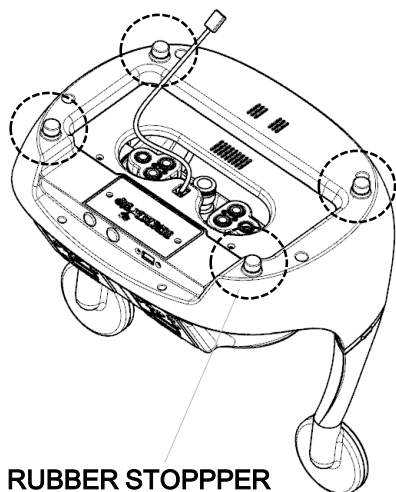


Different kind of power cables shall be provided depending on their country.

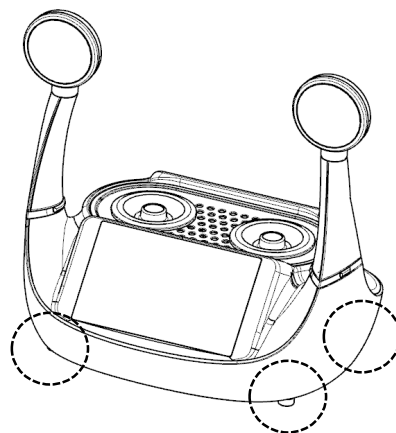
- Ex. Korea ( 220 V ), USA ( 110 V )

## RUBBER STOPPPER

- RUBBER STOPPPER is for prevent ReverseTap slipping and adjust its height.
- Twist RUBBER STOPPPER counterclockwise to lift ReverseTap.
- Maximum possible lift is 5 mm, and intention of adjusting further may result in escaping of RUBBER STOPPPER.

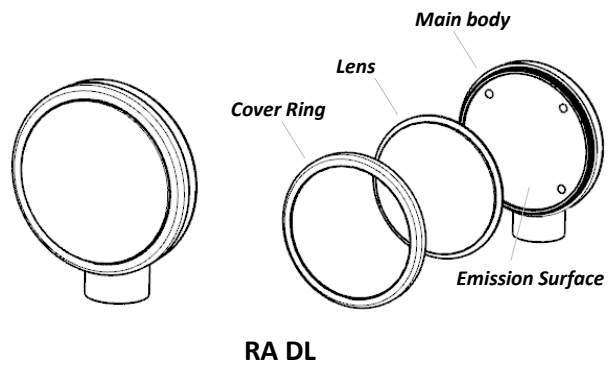


RUBBER STOPPPER



- Lift the corners a little near the RUBBER STOPPPER that you want to adjust.
- Lifting too much may result in disconnection of the tubes for beverage or cooling water.

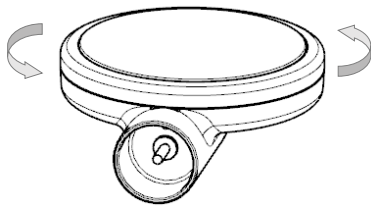
<b>Model</b>	<b>RA DL ( Display Light )</b>
<b>Color</b>	Metalic Silver
<b>Size / Weight</b>	107mm X 91.5mm X 42mm / 240gr
<b>Material</b>	AL, PC, Others
<b>Power Requirement</b>	<b>24V, 0.3A</b>
<b>Power Consumption</b>	<b>7.2W</b>
<b>Operating Conditions</b>	Temperature / Humidity: 20 ± 5 °C / 40 ~ 70 %
<b>Manufacturer</b>	NPC Co., Ltd. ( Republic of Korea )



\* RA DL is an accessory applied to RD PL2 and RA DS for displaying advertisements.

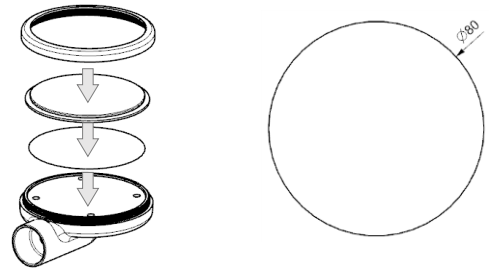
## Instructions

### Step 1



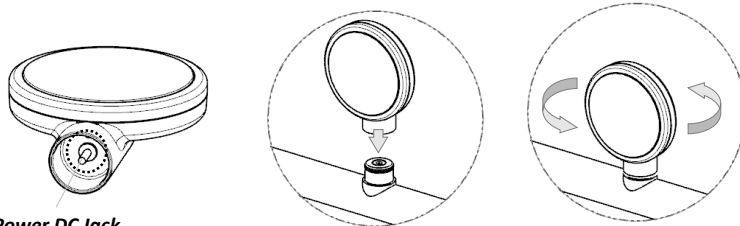
- Fix the main body of RA DL, and hand unscrew the cover ring counter-clockwise from the main body.

### Step 2



- Attach and fix the circle backlit film on the emission surface.
- Regular paper print may be used as an alternative for backlit films. ( Appropriate size is Ø80 )
- Screw the cover ring(with lens) to the main body.
- Please be aware that the backlit film will rotate with the cover ring if the backlit film is not well-fixed.

### Step 3



#### Power DC Jack

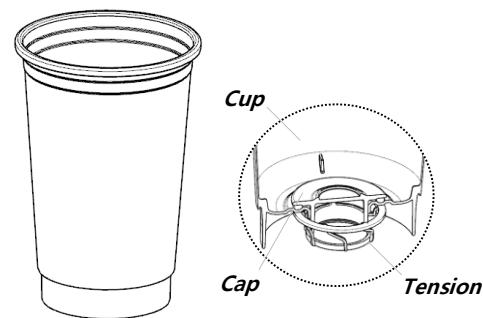
- Insert the power DC jack under RA DL to the **DC outlet of RD PL2 or RA DS**.
- The inserted RA DL can be rotated 360°.

## Cautions

- Do not use Disposable Cups for anything other than its intended use.
- Do not touch the product with wet hands, for it has risk of electric shock or fire.
- Do not use the product near the flammables.
- When you detect burning odor or smoke from the product, disconnect the power immediately, and contact the certified service center.
- For outdoor use, turn off the power during thunder or when the product is not used for a long time.
- Attempt of disassembling, repairing, or customizing on the user's discretion may result in product failure. Please contact the certified service center for repair.
- Product failure caused by installing on other products than ReverseTap is not under warranty coverage.
- Do not apply excessive force or impact to the product.
- For cleaning, please use soft dry towel.
- ReverseTap will not be held responsible or accept any liability for any damage to the product caused due to customer's carelessness.

## Specifications

Model	Disposable Cup ( Plastic food container )
Size / Weight	<b>RT 400D1</b> Ø92(Diameter) x 110(Height) mm / 16.4 gr
	<b>RT 520D1</b> Ø92(Diameter) x 135(Height) mm / 22.2 gr
	<b>RT 700D1</b> Ø92(Diameter) x 174(Height) mm / 27.8gr
Capacity	<b>RT 400D1</b> Optimal : 330 mL ( 12 oz ), Maximum : 400 mL
	<b>RT 520D1</b> Optimal : 473 mL ( 16 oz ), Maximum : 520 mL
	<b>RT 700D1</b> Optimal : 568 mL ( 20 oz ), Maximum : 700 mL
Material	<b>Cup</b> PP <b>Cap</b> PP, Elastomer <b>Tension</b> PC
Operating Temperature	-10 ~ 85 °C
Manufacturer	NPC Co., Ltd.

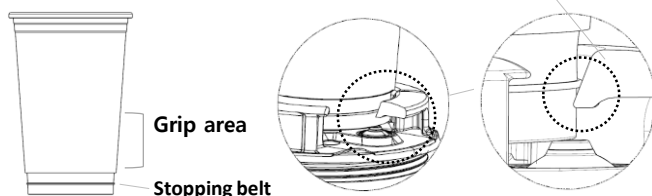


**RT 400D1**  
**RT 520D1**  
**RT 700D1**

\* The materials of ReverseTap Disposable Cup are harmless to human and nature, and they are recyclable.

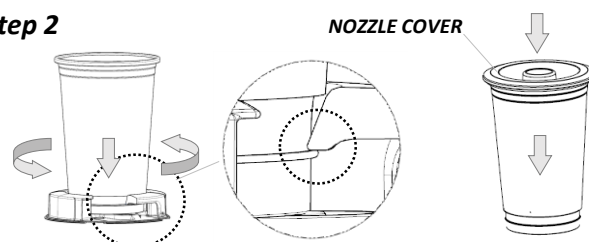
## Instructions

### Step 1



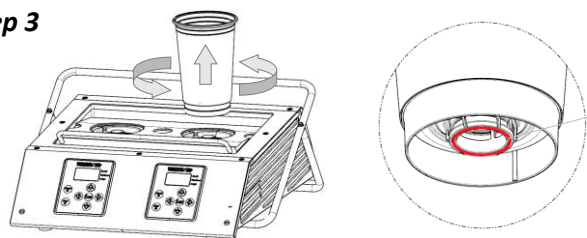
- Grab on the lower part of the cup firmly, and attach the stopping belt on the GRIPPERS.

### Step 2



- Press the cup downwards while rotating the cup simultaneously, until the stopping belt is snapped into the GRIPPERS. Make sure the stopping belt is stuck on both sides of the GRIPPERS.
- Green LED light of the cup-detecting sensor indicates the cup is put properly, and red LED light indicates the cup is not inserted properly on that side. In this case, please try inserting the cup again.
- You can insert the cup much easier by covering the cup with the NOZZLE COVER and pressing it down.  
( In this case, the hygiene safety of the NOZZLE COVER must be ensured. )

### Step 3



- While wiping the residue under the cup, please be careful not to press the red-marked part ( CAP ) in the picture as it may make the beverage leak.
- Such instruction needs to be explained to the customers who buy a drink from ReverseTap. You also need to be careful not to lay down the cup on sharp surface which it can press and open the cap.
- After the beverage is filled to the cup, take it out while rotating the cup simultaneously.
- If you need to take out the cup while dispensing is in progress, press STOP button before you take out the cup.
- Watch out for few drops of residue under the cup which has been transferred from the NOZZLE.  
( This is dropping of residues under the cup, NOT leaking of the cup. )

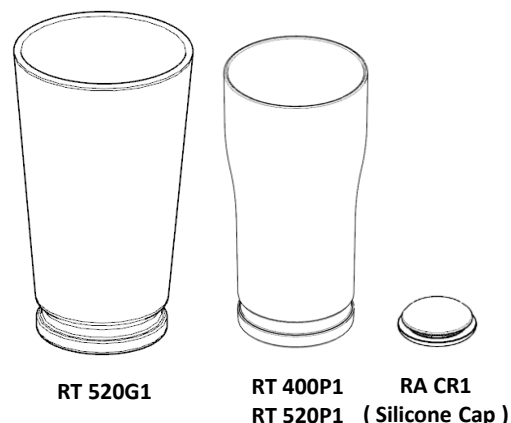
## Cautions

- Please do not use Disposable Cups for anything other than its intended use.
- It is not recommended to use ReverseTap Disposable cups ( RT 400D, RT 520D, RT 700D ) multiple times.
- All responsibilities for any problems from reusing disposable cups are held by users.
- The top rim of the cup requires hygienic care, so do not grab on this part when inserting the cup.  
( You may use the NOZZLE COVER just as described above to insert the cup conveniently. )
- Any fixation of issues caused by using other cups than ReverseTap cups on ReverseTap shall not be covered by the warranty.
- It is recommended to wipe out the residue left under the cup after dispensing beverage is complete.  
( For convenience, you may use an optional item, BOTTOM COVER, to cover the bottom of the cup. )
- Do not apply excessive force to the product. It may result in transformation and leakage.
- ReverseTap will not be held responsible or accept any liability for any damage to the product caused due to customer's carelessness.



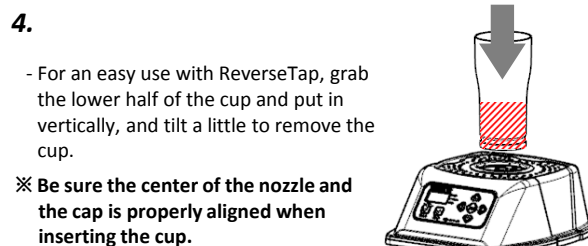
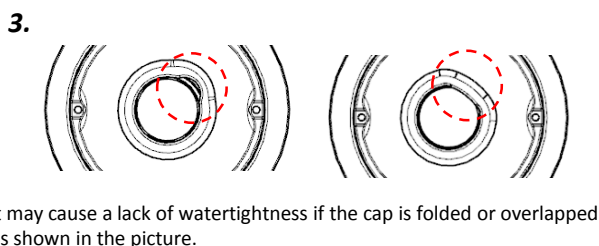
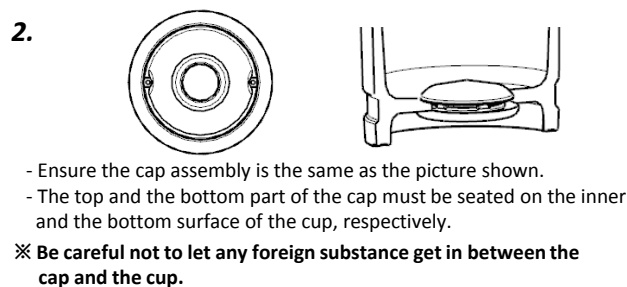
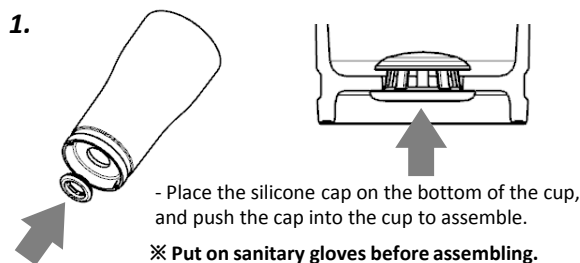
## Specification

<b>Model</b>	Reusable Cup ( Plastic food container )
<b>Size / Weight</b>	<i>RT 400P1</i> Ø77(Diameter) x 134(Height) mm / 107 gr
	<i>RT 520P1</i> Ø81(Diameter) x 161(Height) mm / 125 gr
	<i>RT 520G1</i> Ø81(Diameter) x 161(Height) mm / 450 gr
<b>Capacity</b>	<i>RT 400P1</i> Optimal : 330 mL ( 12 oz ), Maximum : 400 mL
	<i>RT 520P1</i> Optimal : 473 mL ( 16 oz ), Maximum : 520 mL
	<i>RT 520G1</i> Optimal : 473 mL ( 16 oz ), Maximum : 520 mL
<b>Material</b>	<i>RT 400P1, 520P1</i> Tritan
	<i>RT 520G1</i> Soda glass
	<i>RA CR1 (Silicone cap)</i> Silicone
<b>Operating Temperature</b>	-10 ~ 85 °C
<b>Manufacturer</b>	NPC Co., Ltd. ( Republic of Korea )



\* Tritan and Ecozen are eco-friendly materials which bisphenol-A(BPA), an environmental hormone, has not been detected from.

## Instructions



## How to wash RA CR1 (Silicone caps)

- Rub silicone cap softly in a diluted neutral detergent with warm water and then rinse with clean water.
- Use of dishwasher is possible with good drainage tools such as net shaped container.
- After washing, gently shake off or tap onto a clean dry towel to dry.
- For more detailed demonstration, watch uploaded video clip on ReverseTap website.

## CAUTION

- Do not use Reusable cup for anything other than its intended use.
- Do not apply excessive force to the product. It may result in transformation and leakage.
- Do not keep the cups overlapped. It may result in surface damage.
- Do not boil the product in boiling water nor heat directly in the flame.
- The product can be washed in the dishwasher operated under 85°C (water temperature).
- Do not stretch the cap with excessive force. It may result in product failure.
- Do not use scrubs or polishing powders with rough surfaces for washing the product.
- Do not use detergents containing citric acid(lemon juice) for washing the product as citric acid is known for causing crack in Tritan.
- Be careful not to let any foreign substance get in between the cap and the cup.
- We will not be held responsible or accept any liability for any damage to the product caused due to customer's carelessness.

## ReverseTap Maintenance Guideline

- ReverseTap dispenser and its parts must be cleanly washed after daily use.
- You must remove coupler from keg or stop CO<sub>2</sub> supply after daily use. ( Close the middle valve )
- You must disconnect the ReverseTap plug before washing the machine. It is hazardous of electric shock and fire.
- The only waterproof area of RD PL2 is the area near nozzles(PROTECT COVER area), so please be careful while washing the product.
- Do not use rough surface cleaning tools such as scrub brush or steel wool.
- Please refer to '**Maintenance Guidelines for Each Part of RD PL2**' for detail information regarding maintenance for each ReverseTap part.

## Cleaning Beverage Line

- Beverage lines must be cleaned and cleanly maintained on a daily basis.
- Fill the cleaning can with clean water and connect with coupler.
- Inject CO<sub>2</sub> into the cleaning can.
- Switch to CLEANING NOZZLE and connect a tube from the nozzle to a bucket or a drain.  
( For convenience, you can utilize CLEANING MODE. )
- You may continue draining until you see clean water coming out.  
( Average discharge amount is 500mL ~ 1,000mL for chillers, and 100mL ~ 200mL for kegerators. )
- Stop CO<sub>2</sub> injection and discharge the leftover CO<sub>2</sub> from cleaning can safely.
- After removing coupler from cleaning can, wash the coupler with clean water and keep it away from having foreign substances get into it.
- If foreign substances get into ReverseTap from the coupler, the valves in ReverseTap may get clogged and break, which will make problem such as no beverage dispensing or non-stopping discharge.
- For long time no use, after discharging all beverage in the line, clean and dry the line.  
( Do as the cleaning method of beverage lines, and continue until you see CO<sub>2</sub> come out after all water is discharged. )
- Please refer to the official ReverseTap YouTube channel to watch cleaning instruction video.

Problem	Diagnose	Solution
No beer dispensing?	Is not adapter unplugged?	Plug power cord to adapter.
	Is not the keg empty?	Switch to new keg.
	Is not keg coupler connected properly?	Connect keg coupler to the keg.
	Is not CO <sub>2</sub> gas valve closed?	Open CO <sub>2</sub> gas valve.
	Is beer not dispensed when you press cup-detecting sensor?	Contact the CSC for service.
	Is not ReverseTap power turned on?	Turn on the ReverseTap power.
	Is the inside of the chiller frozen too much?	Contact the chiller manufacturer for service.
	Are not the beverage lines bent too much?	Straighten up the beverage lines. Contact CSC if the lines are not fairly straighten up.
	Are not FILTER FITTINGS clogged?	Check the filter inside FILTER FITTING and clean it if they are clogged.
Too much foam?	Is not chiller power turned on?	Turn on the chiller.
	Is there enough water inside the chiller?	Supply enough water to the chiller until the water comes out from the chiller's Overflow gate.
	Is the chiller operated for fair amount of time?	You must fill the chiller with water and operate 24 hours prior to beer dispensing for regular beer discharge.
	If using kegerators, are the kegs cooled enough?	It varies by the beer type, but you must cool the keg down to around 4°C for at least 24 hours before use.
	Is not the inside of the chiller frozen too much?	Contact the chiller manufacturer for service.
	Has not it been quite a while since you first opened and used the keg?	Old kegs which are opened for a long time do cause a lot of foam. Please switch to a new keg. ( Recommended keg use after opening : 3 days )
	Have you leaved CO <sub>2</sub> valve opened and connected with keg for a long time?	Too much CO <sub>2</sub> injection in a keg causes a lot of foam. Please switch to a new keg.
	Is the CO <sub>2</sub> gas pressure within the average range?	Adjust the pressure to an appropriate range. ( 250 ~ 300 kPa )
	Is not CO <sub>2</sub> gas depleted?	Contact the CO <sub>2</sub> gas supplier.

Problem	Diagnose	Solution
Too much foam?	Did you keep the keg in a cool place?	The recommended keg temperature is 4~6°C. Please keep the keg in cool place so the keg is maintained in a recommended temperature.
	Did you see bubbles passing in beverage lines when dispensing?	Remove bubbles from beverage lines. ( Discharge beer raising gas pressure by 50 kPa, but do not exceed 400kPa. )
	Are not the beverage line bent too much or leaking?	Exchange the beverage lines and insulate them. For tube shortage, please contact CSC.
Keypad does not work?	Reboot the power.	Contact CSC if the problem continues.
LED color is not proper?	Confirm the set value.	If the LED color is not expressed as it is set, please contact CSC for assistance.
LED light is keep turned on?	Reboot the power.	If the problem continues, please contact CSC for assistance.
Cup is not inserted well?	Did you wash GRIPPERS regularly?	Wash GRIPPERS until there is no foreign substance on them. Remove every foreign substances on VALVE HOUSING where GRIPPERS come in contact with.
	Are the GRIPPERS and the NOZZLES assembled properly?	Assemble GRIPPERS and NOZZLES properly.

## After service may be paid even during warranty period on the following conditions:

- If reinstalling due to moving of the product or the place.
- If the product is damaged or failed due to external impact or dropping.
- If the product is malfunctioning due to use of any products that are not specified by the Company.
- If the repair or customizing is done by the customer individually.
- If the product is used with inappropriate electric power.
- If the customer did not follow the caution provided in the manual.
- If the product is failed or damaged due to natural disaster ( lightning, fire, earthquake, storm and flood damage, etc )
- If the end-life of the consumable parts ended.

		Disposable Cup		
		RT 400D	RT 520D	RT 700D
Product Size		Ø92 x 110 (mm)	Ø92 x 135 (mm)	Ø92 x 174 (mm)
Product Weight		16.4 gr	22.2 gr	27.8 gr
Capacity	Max	400 mL	520 mL	700 mL
	Standard	330 mL	473 mL	568 mL
Packaging Size		480 x 390 x 545 (mm)		
Packaging Weight		8.4 Kg	10 Kg	9.5 Kg
Packaging Unit		440 EA	400 EA	300 EA
Certification		FDA certified by SGS		

		Reusable Cup			Fit	
		RT 400P1	RT 520P1	RT 520G1	RF 25	RF 35
Product Size		Ø81 x 161(mm)	Ø77 x 134(mm)	Ø91 x 157(mm)	98 x 66 x 73(mm)	98 x 66 x 73(mm)
Product Weight		125 gr	107 gr	450 gr	85 gr	87gr
Capacity	Max	400 mL	520 mL	520 mL	-	-
	Standard	330 mL	473 mL	473 mL	-	-
Packaging Size		514 x 352 x 312(mm)	536 x 366 x 364(mm)	600 x 305 x 390(mm)	Ø92 x 120 (mm)	
Packaging Weight		8.2 Kg	10.3 Kg	19.2 Kg	0.15 Kg	0.15 Kg
Packaging Unit		48 EA	48 EA	36 EA	1 EA	1 EA
Certification*		FDA certified by SGS				

\* Certifications not applicable for RT520G1.

## ReverseTap Customer Service

- Information regarding Certified Service Center (CSC) can be collected via regional distributors and our website. ( [www.reversetap.com](http://www.reversetap.com) )

## Trademarks

- ReverseTap and ReverseTap logo are registered trademarks of NPC Co., Ltd.
- Other names and marks are the property of their respective owners.

## Refunds / Exchange / Warranty Policy

- Refunds or exchange may be offered within 15 days after purchase if the product cannot be used due to its defect.  
This does NOT apply if the customer is responsible for the damage due to one's carelessness.

## NPC CO., LTD.

F-5F, Innovalley 255, Pangyo-ro, Bundang-gu,  
Seongnam-si, Gyeonggi-do, Republic of Korea 13486



[www.reversetap.com](http://www.reversetap.com)



[www.youtube.com/reversetap](http://www.youtube.com/reversetap)



[www.facebook.com/reversetap](http://www.facebook.com/reversetap)

FDA certified  
by SGS



Webpage QR Code

**Copyright © 2017 NPC Co., Ltd. All rights reserved.**

This manual is protected under international copyright laws. No part of this guide may be reproduced, distributed, translated, or transmitted in any form or by any means, electronic or mechanical, including photocopying, recording, or storing in any information storage and retrieval system, without the prior written permission of NPC Co., Ltd.

